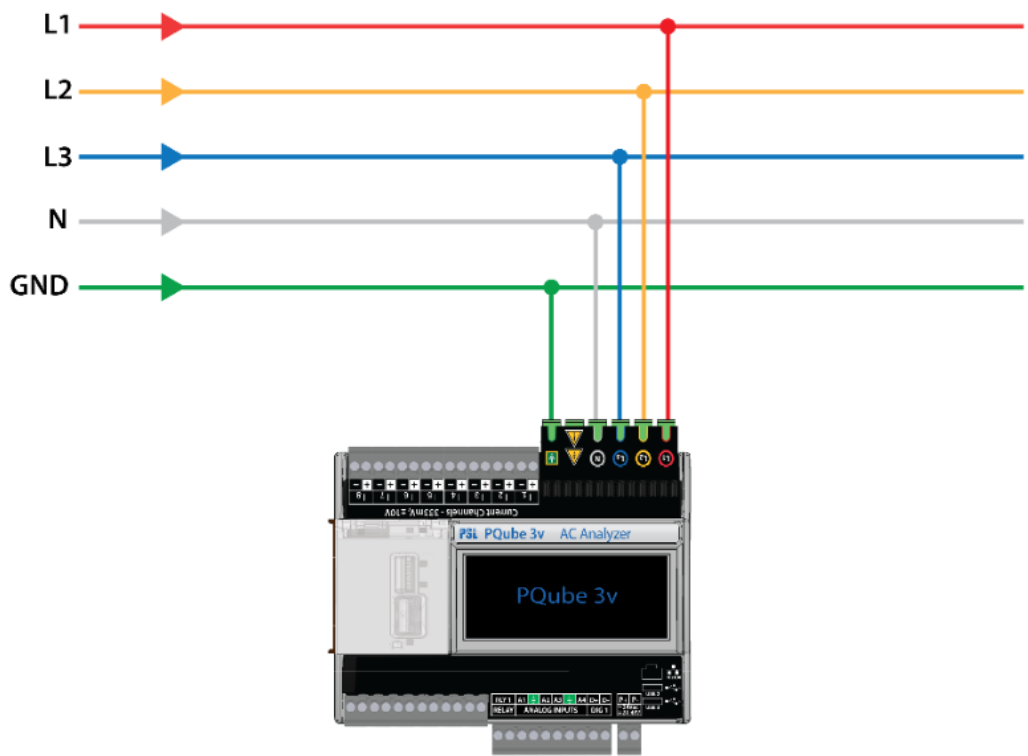


3 Wiring Diagrams

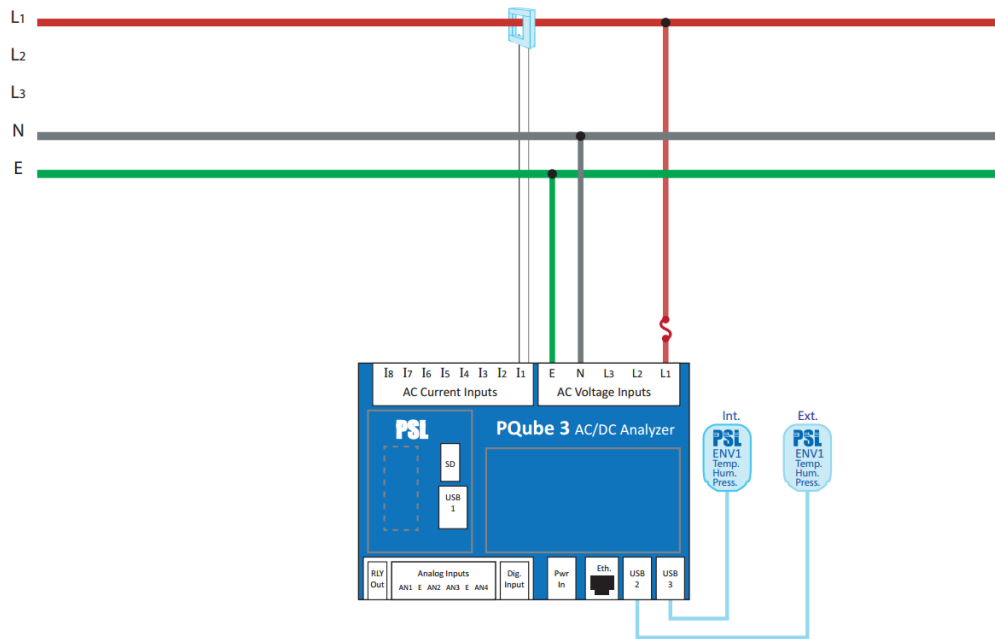
3.1 Wiring diagram for PQube 3v and PQube 3vr

*PQube 3v, PQube 3vr
measures voltage only*

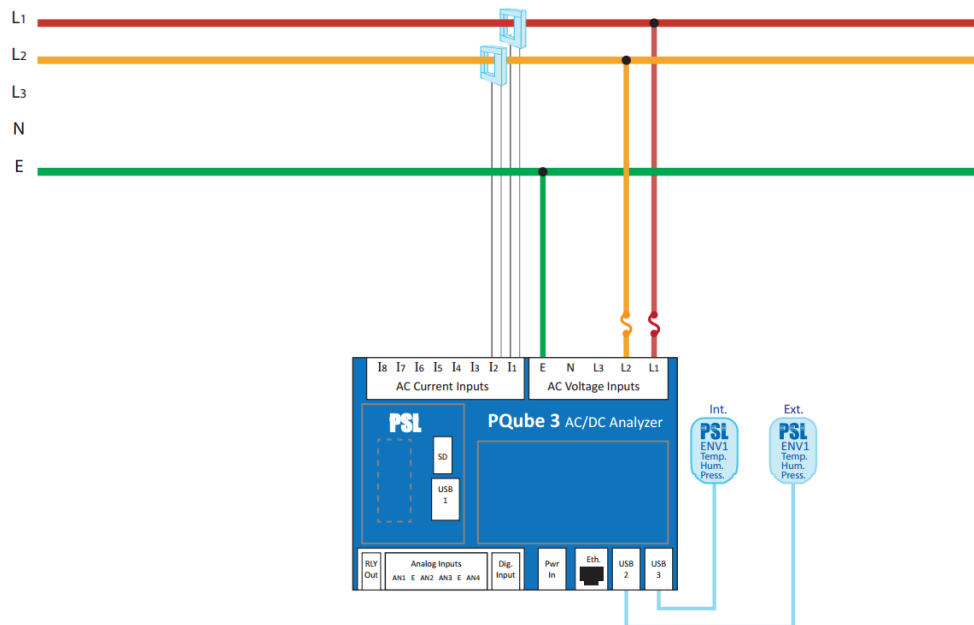


3.2 Wiring Diagrams (PQube 3, PQube 3e, PQube 3r)

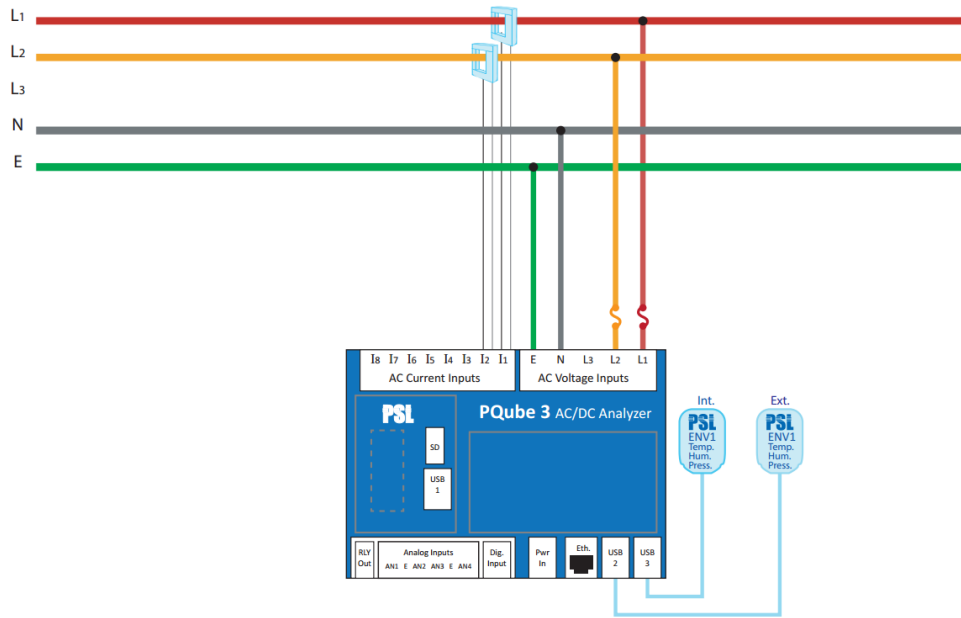
3.2.1 Single Phase L1-N



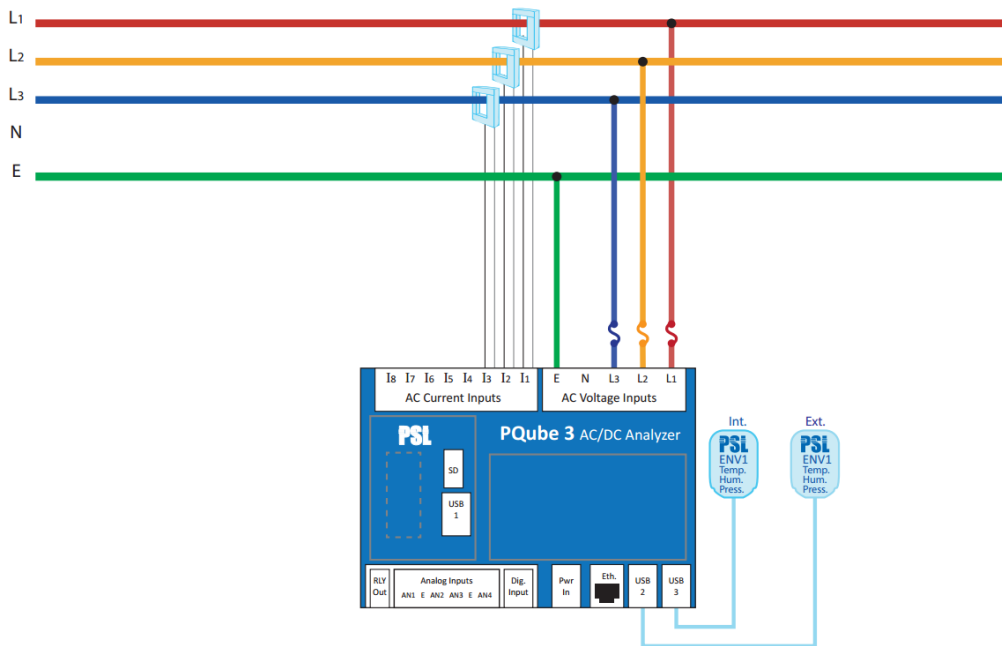
3.2.2 Single Phase L1-L2



3.2.3 Single phase 3-wire / Split Phase

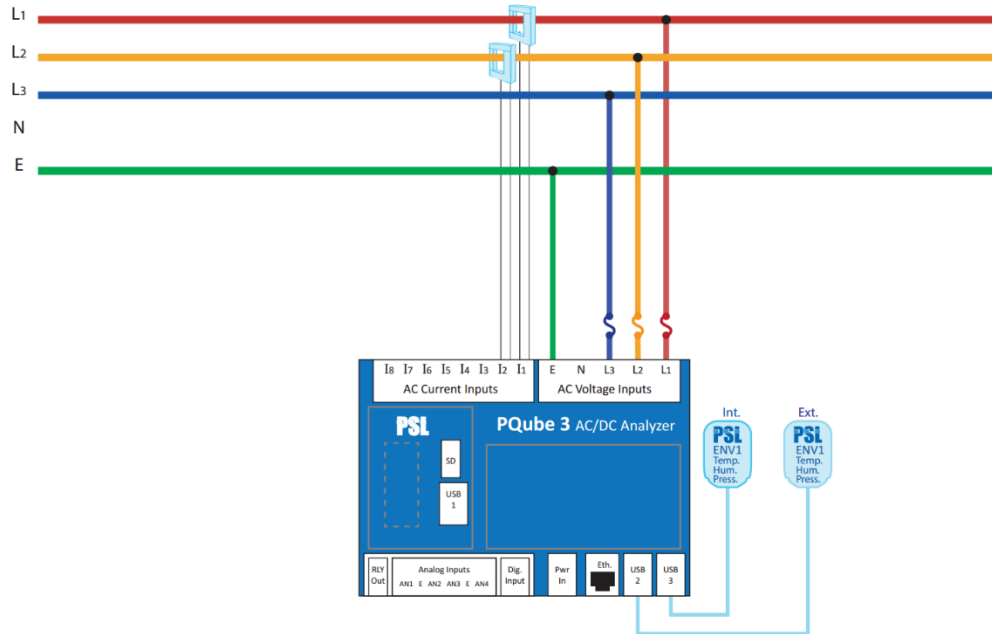


3.2.4 Delta—3 CTs

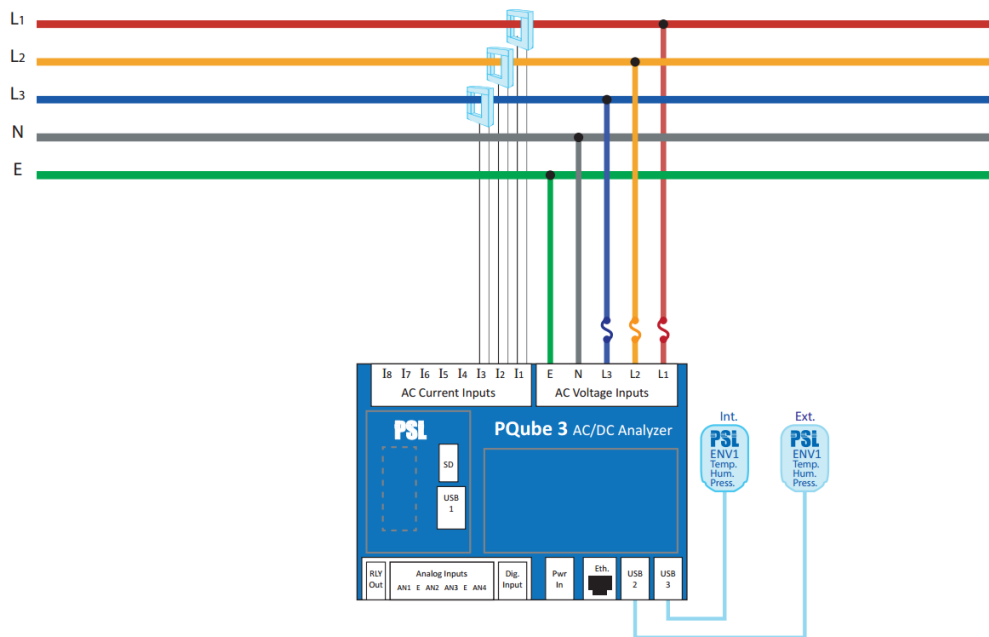


3.2.5 Delta—2 CTs

Note: PQube 3 calculates current on remaining channel

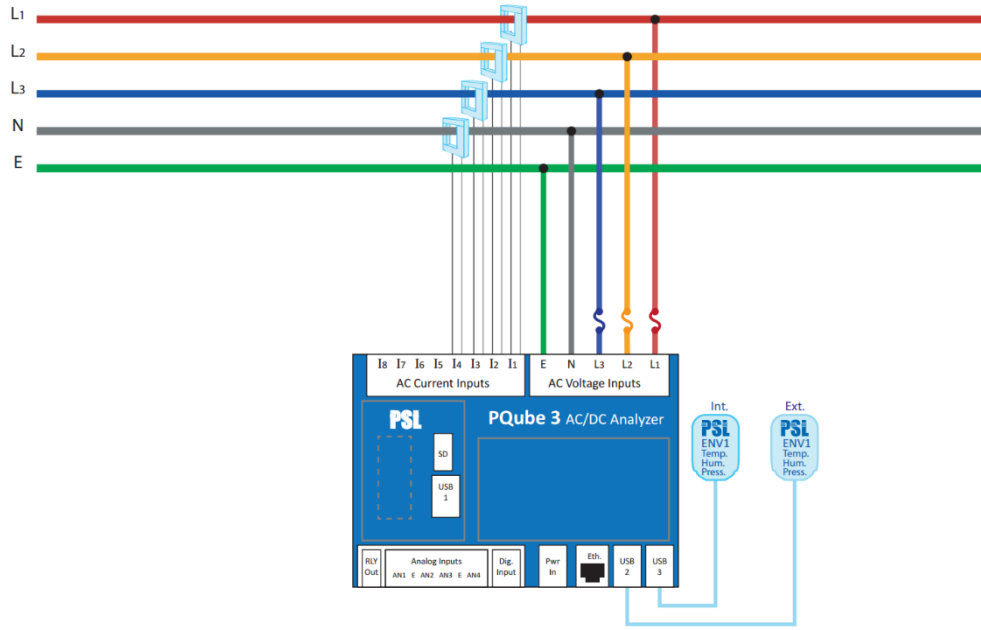


3.2.6 Wye/Star



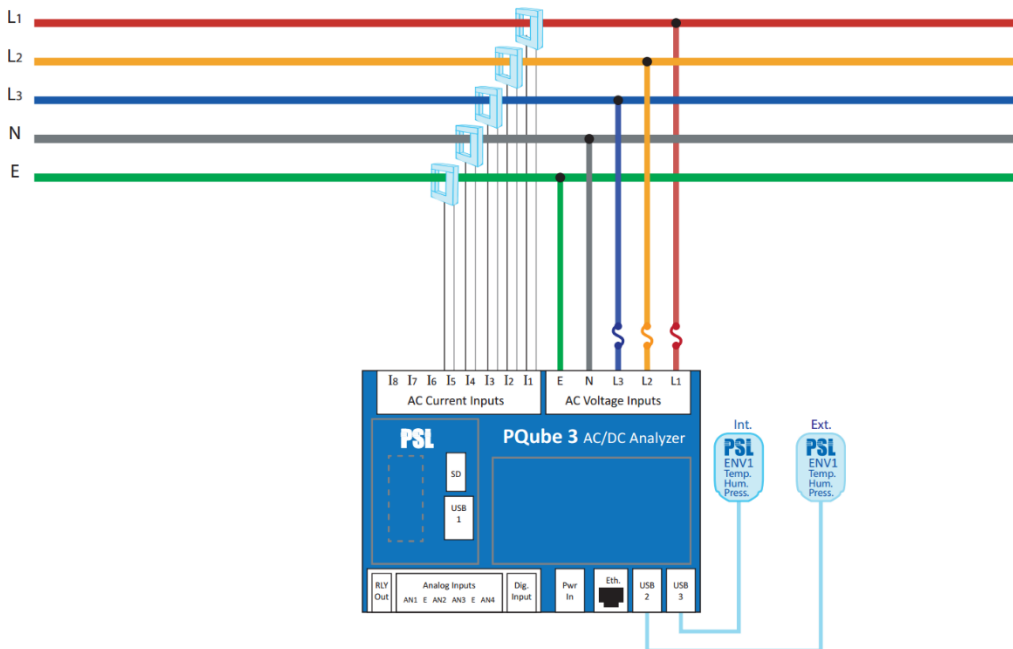
3.2.7 Measuring Neutral Current

This applies to any power configuration with Neutral conductor accessible

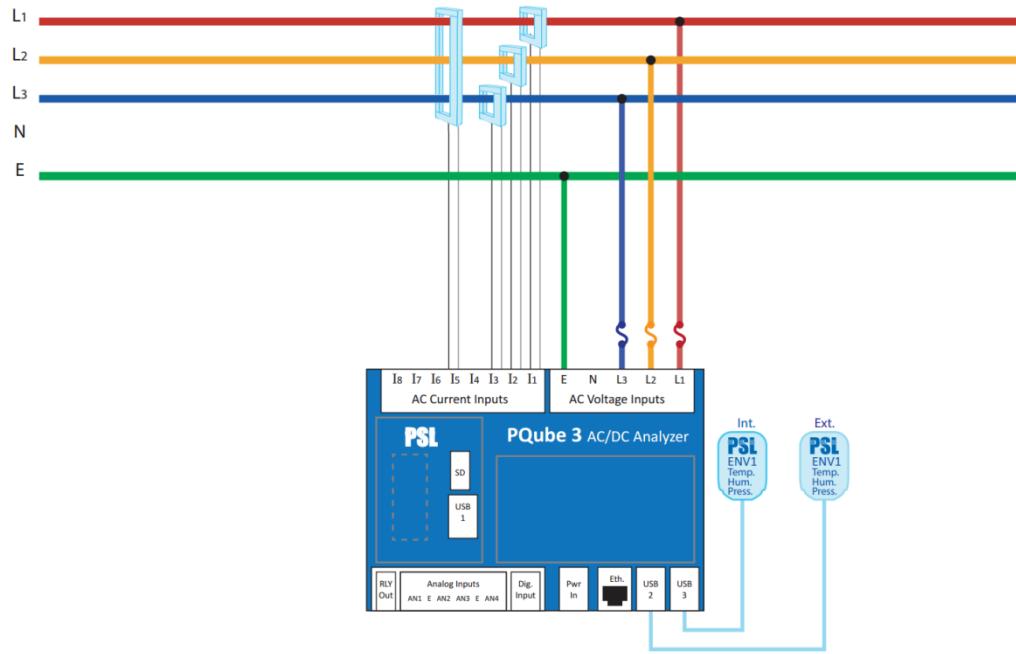


3.2.8 Measuring Earth Current

This applies to any power configuration



3.2.9 Measuring Net Earth Current—Delta



3.2.10 Measuring Net Earth Current—Wye/Star

