



General Flex Series Specifications

Temperature Range:

- 13°F to 167°F (-25°C to 75°C)

Environmental Protection:

- IP-66/NEMA 4X

Material Type:

- Glass reinforced nylon

Test & Certifications:

- FCC Approved Part 15
CE Marked
ISO 13849-1 PL d
EN 301 489-1
EN 301 489-3
EN 300 220-1 V2.3.1
EN 300 220-2 V2.3.1
EN 60950:2006+A1+A11+ A12
EN 60204-32:2008
EN 13557:2003+A1:2008
EN 60529 (IP66)

RF Operation Range:

- Non-Licensed Part 15 Up to 300 feet (91.44 m)
CE Marked Up to 300 feet (91.44 m)

Frequency Range:

- Non-Licensed Part 15 430-439.8 MHz
CE Marked 433.050-434.575MHz

Output Power:

- Non-Licensed Part 15 Less than 1 mW
CE Marked Less than 10mW

RF Channels

- Non-Licensed Part 15 62 channels
CE Marked 62 channels

Security Codes

- +1 million standard codes (field selectable)

Other Features

- Field configurable outputs
Pitch & catch between 2 operators
96dB Horn/Siren device available
Light kit available
Universal spare transmitter
Direction and compass labels standard
Molded rubber transmitter guard
Clear vinyl pouch
Custom labeling available
Rechargeable battery and charger option

Flex Transmitter Specifications

Weight:

- 2 Buttons: Approximately 6.4 oz (183 g)

Dimensions:

- 2 Buttons: Approximately 5.11" x 2.17" x 1.57" (130 x 55 x 40 mm)

Power:

- 2 AA Batteries
100+ operating hours
Rechargeable battery optional

Pushbuttons:

- One step (speed)
Two step (speed)

Antenna:

- Internal

Diagnostics:

- LED error codes

Flex Receiver Specifications

Dimensions:

- Approximately 4.72" x 3.54" x 2.17" (120x 90 x 55 mm)

Mounting Type:

- Panel mount

Input Voltage:

- 48-240 VAC (Standard)
24-48 VAC
9-36 VDC

Power Consumption:

- 3-7VA

Output Type:

- 6 mechanical relays (4 functions + 1 MLC + 1 FUNC)

Relay Rating:

- 250 VAC or 30 VDC @ 8 Amp, internally fused with 5A fuses

Antenna:

- Internal
Optional External

Diagnostics:

- LED error codes

Other Features

- Pre-wired receiver with 6' cable

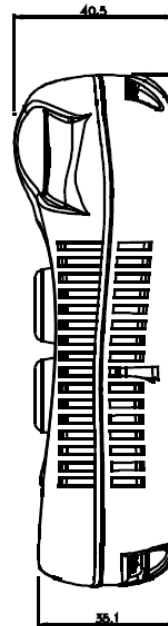
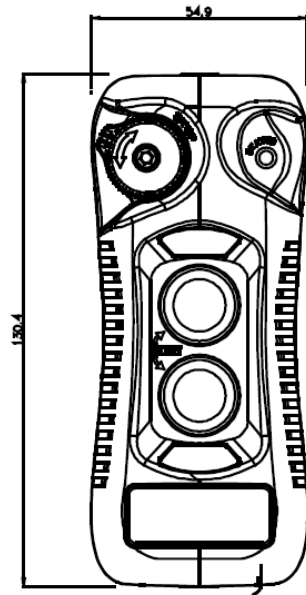


MAGNETEK

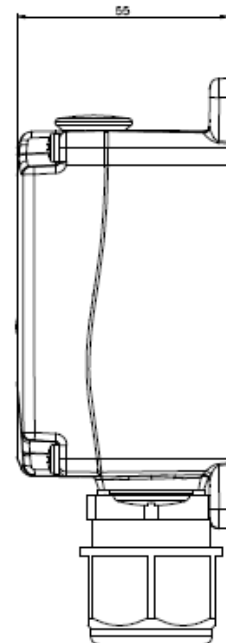
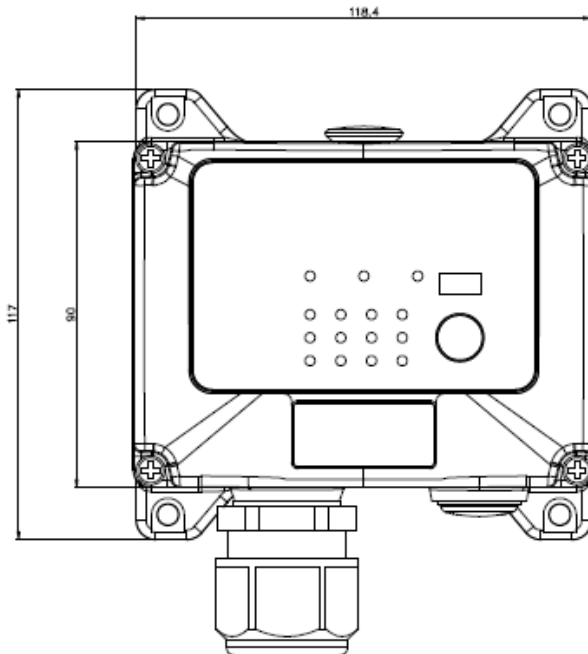
**Flex Duo**  
Technical Specifications  
9/15/2020

TYPICAL MECHANICAL LAYOUTS

Transmitter



Receiver



P.O. Box 13615  
Milwaukee, WI 53213  
Toll-Free Phone 800.288.8178  
Toll-Free Fax 800.298.3503

N49 W13650 Campbell Drive  
Menomonee Falls, WI 53051  
Phone 262.783.3500  
Fax 262.783.3510

Canada Facility  
161 Orenda Road  
Unit 1  
Brampton, Ontario  
L6W 1W3 Canada  
Toll Free Phone: 800.792.7253  
Fax: 905.828.1526

Magnetek (UK) Ltd.  
Unit 3, Bedford Business Centre  
Mile Road  
Bedford, MK42 9TW UK  
Phone: +44 (0) 1234 349191  
Fax: +44 (0) 1234 268955

[www.magnetek.com](http://www.magnetek.com)

Brochure No.  
Flex Base Tech Specs