



CP Automation  
Keeping industry  
in motion

# CPA-0010-01009D02 Standby UPS

## 1000VA Model

User & Installation Manual



## Table of Contents

<b>Installation and Operation</b> .....	<b>3</b>
<b>Product Overview</b> .....	<b>3</b>
.....	
<b>LED Indicators</b> .....	<b>4</b>
.....	
<b>Safety Precautions</b> .....	<b>5</b>
.....	
<b>Troubleshooting</b> .....	<b>6</b>
.....	
<b>Specifications</b> .....	<b>7</b>
.....	
<b>Obtaining Service</b> .....	<b>7</b>
.....	

## Installation and Operation

### Inspection

The following items are inside the box:

- UPS unit
- User manual

Remove the UPS from its packaging and inspect it for damage that may have occurred during shipping. If any damage is discovered, re-pack the unit and return it to the place of purchase.

### Connect to Utility Power

Connect the AC power cord to the utility power (9). Then, the UPS will start to charge the battery. For best results, charge the battery for 6 hours prior to initial use.

### Connect Modem/Phone Line/Data Line

(Only for the model with TVSS port)

This UPS protects a single line (1in/1out) phone, modem, or fax machine from surges when connected through the UPS. Plug the incoming Internet line into the "IN" socket. Use one more Internet line cable in the "OUT" socket and plug one other end to the modem input socket.

### Plug in Equipment

#### Battery Backup Outlets (3)

Connect computer and monitor to the "Battery Backup" outlets. These outlets provide battery backup, EMI filtering, line conditioning, and surge protection. Battery power is automatically provided in case of power failure.

#### Surge-Protected Outlets (4)

Connect a printer, fax machine, or scanner to the "Surge-protected" outlets. These outlets do not provide power during power failure.

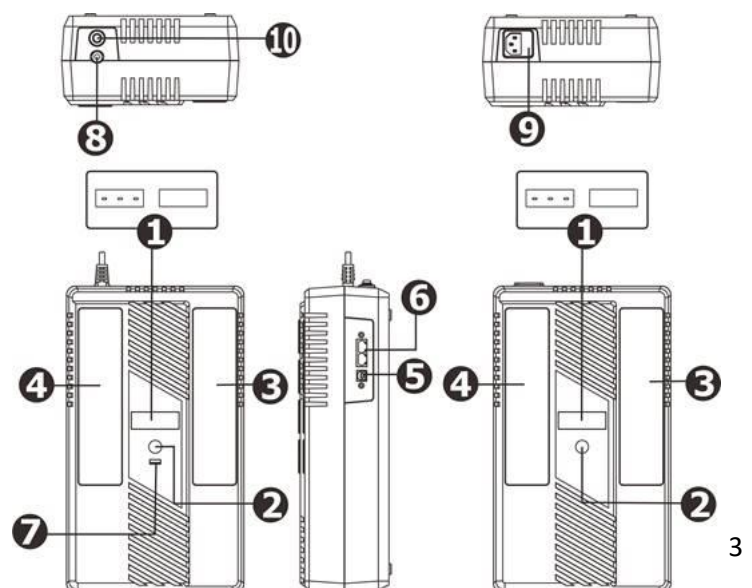
CAUTION: NEVER connect a laser printer or scanner to the battery backup receptacles of the UPS. The equipment may draw significantly more power and overload the UPS.

### Turn On/Off the UPS

To turn on the UPS unit, press the power switch (2). The LCD will illuminate. To turn off the UPS unit, press the power switch again. The UPS will turn off.

## Product Overview

1. LCD display
2. Power switch
3. Battery backup outlets
4. Surge-protected outlets
5. USB port (option)
6. Modem/phone/network surge protection (option)
7. USB charger port (option)
8. AC input power cord
9. AC input with fuse (only for IEC model)
10. Circuit breaker



### Connect Com. Port and Install Software (Only for models with a USB port)

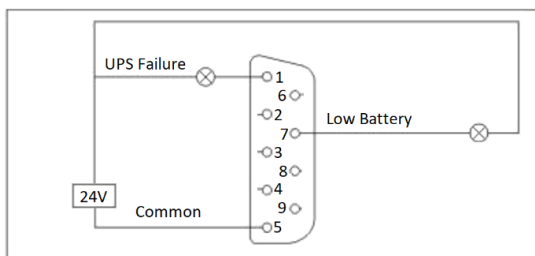
Connect one end of the USB cable to PC and the other to the USB port at the rear of the UPS.

Download the latest version of ViewPower software from <http://www.power-software-download.com> to your hard drive. Follow on-screen instructions to complete the software installation.

### I/O Port Connections

The UPS has an RS232 DB-9 Port to provide remote monitoring of the UPS status.

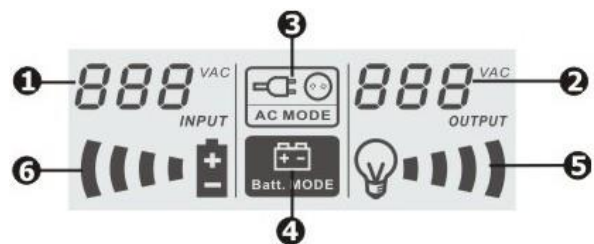
Typical internal circuit of the RS2323 DB-9 Port: -



Note: - the outputs are rated for DC voltages only, maximum 24 DC, 1A.

### LCD OVERVIEW

1. Input voltage
2. Load level indicator, flashing indicates overload
3. Output voltage
4. AC mode indicator
5. Battery capacity indicator, flashing
6. Battery mode indicator, indicates low battery



### LED Indicators

LED	Alarm	UPS Status
• Green	Off	The mains are normal, and UPS is operating normally.
*Yellow	Sounding every ten seconds	Power failure occurred and UPS is on battery mode.
*Yellow	Sounding every second	Low battery
o Green	Output voltage	UPS is off
• Red	Continuously sounding	UPS fault

\*LED on or LED Off\* LED flashing

## SAFETY PRECAUTIONS

- This UPS utilizes voltages that may be hazardous. Do not attempt to disassemble the unit. The unit contains no user replaceable parts. Only factory service personnel may perform repairs.
- This pluggable type A equipment with battery already installed by the supplier is operator installable and may be operated by laymen.
- The mains socket outlet that supplies the UPS shall be installed near the UPS and shall be easily accessible.
- During the installation of this equipment, it should be assured that the sum of the leakage currents of the UPS and the connected loads does not exceed 3.5mA.
- Connection to any other type of receptacle other than a two-pole, three-wire grounded receptacle may result in shock hazard as well as violate local electrical codes.
- In the event of an emergency, press the "OFF" button and disconnect the power cord from the AC power supply to properly disable the UPS.
- Do not allow any liquids or any foreign object to enter the UPS. Do not place beverages or any other liquid-containing vessels on or near the unit.
- This unit is intended for installation in a controlled environment (temperature controlled, indoor area free of conductive contaminants). Avoid installing the UPS in locations where there is standing or running water, or excessive humidity.
- Do not plug the UPS input into its own output.
- Do not attach a power strip or surge suppressor to the UPS.
- A battery can present a risk of electrical shock and high short circuit current. The following precautions should be observed when working on batteries:
  - 1) Remove watches, rings, or other metal objects from the hands.
  - 2) Use tools with insulated handles.
  - 3) Wear rubber gloves and boots.
  - 4) Do not lay tools or metal parts on top of batteries.
  - 5) Disconnect charging source prior to connecting or disconnecting the battery.
  - 6) Remove battery ground during installation and maintenance to reduce likelihood of shock.
- Unplug the UPS prior to cleaning and do not use liquid or spray detergent.
- Internal battery voltage is 12VDC. Sealed, lead-acid, 6-cell battery.

NOTE: This equipment has been tested and found to comply with the limits for a Class B digital device, pursuant to Part 15 of the FCC Rules. These limits are designed to provide reasonable protection against harmful interference in a residential installation. This equipment generates, uses, and can radiate radio frequency energy and, if not installed and used in accordance with the instructions, may cause harmful interference to radio communications. However, there is no guarantee that interference will not occur in a particular installation.

If this equipment does cause harmful interference to radio or television reception, which can be determined by turning the equipment off and on, the user is encouraged to try to correct the interference by one or more of the following measures:

- Reorient or relocate the receiving antenna.
- Increase the separation between the equipment and receiver.
- Connect the equipment into an outlet on a circuit different from that to which the receiver is connected.
- Consult the dealer or an experienced radio/TV technician for help.

- Do not dispose of batteries in a fire as they may explode.
- Servicing of batteries should be performed or supervised by personnel knowledgeable of batteries and the required precautions. Keep unauthorized personnel away from batteries.
- When replacing batteries, replace with the same number and type of sealed lead-acid battery.
- Do not open or damage the battery or batteries. Released electrolyte is harmful to the skin and eyes. It may be toxic.
- Attention: Hazardous through electric shock. Also, with disconnection of this unit from the mains, hazardous voltage still may be accessible through supply from battery. The battery supply should be therefore disconnected in the positive and negative pole at the connectors of the battery when maintenance or service work inside the UPS is necessary.
- To reduce the risk of overheating the UPS, do not cover the UPS' cooling vents and avoid exposing the unit to direct sunlight or installing the unit near heat emitting appliances such as space heater or furnaces.

## Troubleshooting

Condition	Possible Causes	Alarm
Nothing is displayed on the panel.	The UPS is not on.	Press the power switch again to turn on the UPS.
	Battery voltage is too low.	Charge the battery at least 6 hours.
	Battery fault.	Replace the battery.
The UPS always on battery mode	Power cord loose.	Re-plug the power cord.
The UPS continuously beeps.	Please check the fault code for the details.	Please check the fault code for the details.
Backup time too short	The UPS is overloaded	Remove some of the load from the output of the UPS
	Battery voltage is too low	Charge the UPS at least 8 hours
	Battery defect	Replace the battery with the same type of battery

## Specifications

MODEL NUMBER		CPA-0010-01009D02
CAPACITY	Power rating	1000VA/600W
INPUT	Voltage	220/230/240VAC
	Frequency	50/60Hz auto-sensing
OUTPUT	Voltage	220/230/240VAC
	Waveform	Simulated sine wave
	Frequency	50/60 Hz $\pm$ 1Hz
	Transfer time	6ms typical
BATTERY	Battery type	Sealed, maintenance free lead acid
	Battery quantity and size	12V 9AH
	Recharge	8 hours to 90% capacity
PHYSICAL	UPS dimensions (W x D x H)	(343 x 198 x 99 mm)
	UPS weight	(6.4kg)
	Input	IEC C14 Inlet
	Receptacles	(12) IEC C13 receptacles (6 battery backup + 6 Surge only)
ENVIRONMENT	Operating temperature	0–40°C
	Humidity	0–90%
	Altitude	3505m above sea level
INDICATORS & ALARMS	Display	LCD display
	USB charging port	USB A-type 5V, 2.4A
	Data Line Surge Protection	RJ45 (10/100)
APPROVALS		CE, RoHS
COMMUNICATIONS INTERFACE		HID compliant USB
INCLUDED IN BOX		USB cable and user manual

## Obtaining Service

If the UPS requires Service:

1. Use the TROUBLESHOOTING section in this manual to eliminate obvious causes.
2. Verify there are no circuit breakers tripped.
3. Call your dealer for assistance. If you cannot reach your dealer, or if they cannot resolve the problem, contact CP Automation at +44 (0)1724 851515. Technical support inquiries can also be made at [elevatorsales@cpaltd.net](mailto:elevatorsales@cpaltd.net). Please have the following information available **BEFORE** calling the Technical Support Department:
  - Your name and address.
  - The serial number of the unit.
  - Where and when the unit was purchased.
  - All the model information about your UPS.
  - Any information on the failure, including LED's that may or may not be illuminated.
  - A description of the protected equipment, including model numbers if possible.
  - A technician will ask you for the above information and, if possible, help solve your problem over the phone. In the event that the unit requires factory service, the technician will issue you a Return Material Authorization number (RMA).