

ADF

P300, 90 – 360 A Active Dynamic Filter



- High Performance and Reliability
- Modular and Scalable Design 90 – 360 A
- Advanced Digital Control
- Easy Installation
- Insensitive to Network Conditions
- Harmonic Elimination
- Total Power Factor Correction
- Active Load Balancing
- Dynamic VAR compensation
- Sensorless operation
- Non-overloadable
- Available in 208 – 480 V and 480 – 690 V versions



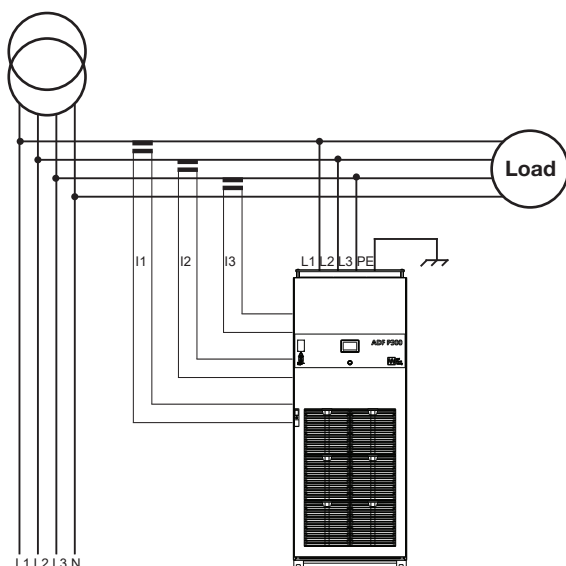
Technical Specifications

| Model | ADF P300-120/480 (ADF P300-90/690) | ADF P300-240/480 (ADF P300-180/690) | ADF P300-360/480 (ADF P300-270/690) |
|---|---|--|--|
| Rated power * | 83 / 100 / 94 / 108 kVA | 166 / 200 / 187 / 215 kVA | 249 / 299 / 281 / 323 kVA |
| Compensation current capacity at 50/60 Hz | 120 A _{RMS} (90 A _{RMS}) | 240 A _{RMS} (180 A _{RMS}) | 360 A _{RMS} (270 A _{RMS}) |
| System voltage | 480 V (208 – 480 V), 690 V (480 – 690 V) | | |
| Nominal frequency | 50/60 Hz ± 2 % | | |
| Number of phases | 3 phase 3 wire | | |
| Connection type | 3 phase without neutral (TN, TT, IT**) | | |
| Harmonic current compensated | individual compensation up to 49 th order | | |
| Rate of harmonic reduction | better than 98 % | | |
| Current compensation of cos φ | up to 1.0 | | |
| Expandability | ADF P300 units can be used in parallel | | |
| Response time | < 1 ms | | |
| Power dissipation 480 V (690 V) | < 2725 W (< 2969 W) | < 5325 W (< 5813 W) | < 7925 W (< 8657 W) |
| Maximum air flow requirement | 600 m ³ /h | 1200 m ³ /h | 1800 m ³ /h |
| Noise level | < 70 dB(A) | | |
| Environment | 0 to 95 % RH non-condensing, max altitude 1000 m without derating | | |
| Operating temperature | 0 to 50 °C, up to 40 °C without derating | | |
| Dimensions | 800 x 2155 x 610 mm (W x H x D) | | |
| Weight 480 V (690 V) | 335 kg (351 kg) | 472 kg (495 kg) | 609 kg (639 kg) |
| Cabinet color | cabinet RAL 7035 (light grey), base RAL 7022 (umbra grey) | | |
| Protection class | IP21 according to IEC 529 | | |
| Environmental conditions | chemical 3C3, mechanical 3S3 | | |
| Electromagnetic compatibility | EN55011, Class A | | EN55011, Class B |
| Certificates | | CE, ABS | |

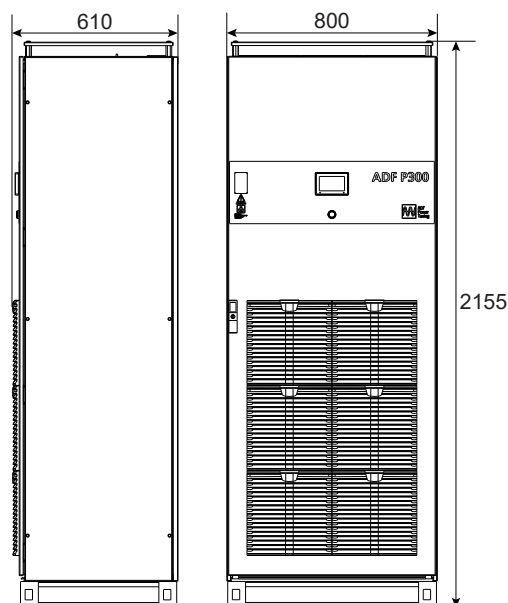
* Compensation power at 400 V / 480 V / 600 V / 690 V nominal voltage

** Option

Connection Diagram (example)



Dimensions (mm)



Comsys AB, Fältspatvägen 4, SE-224 78 Lund, Sweden
Tel +46 10 209 6800, Fax +46 10 209 6805
info@comsys.se www.comsys.se

Partner:



CP Automation Ltd
Unit 8 Ashley Industrial Estate
Exmoor Avenue
Scunthorpe DN15 8NJ
Tel: +44 (0) 1724 85 15 15
Fax: +44 (0) 1724 85 15 16
enquiries@cpaltd.net
www.cpaltd.net