

THERMAL TRIP
OPTIONAL

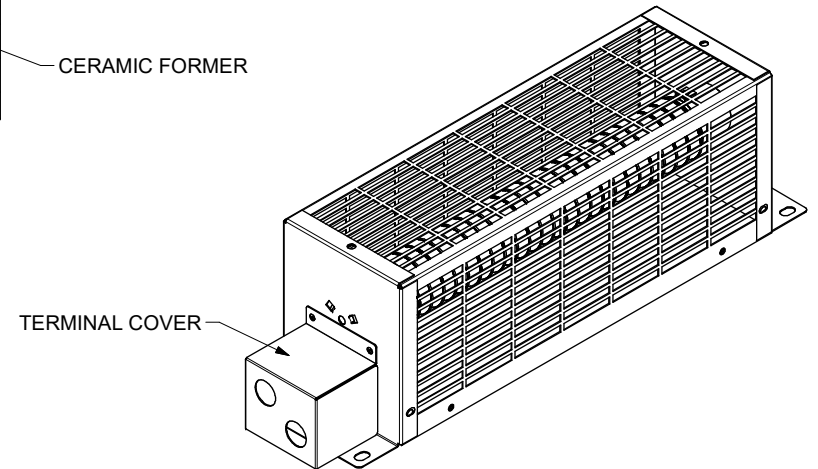
TERMINAL BLOCK
MAXIMUM CABLE SIZE 10mm²
SCREW TERMINAL
MAX TORQUE 1Nm

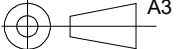
TERMINAL COVER OPTIONAL

ENCLOSURE
FRAME AND COVERS 0.8mm THICK
PREGALVANISED MILD STEEL
NATURAL FINISH

DEGREE OF PROTECTION
RESISTOR ENCLOSURE INGRESS (IEC 529) IP20

TECHNICAL DATA
MAX. RATED VOLTAGE 1000V ac OR dc
RATED POWER 1.5 kW CONTINUOUS
RESISTANCE 6 - 450 Ohms AT 25°C
MAX. TEMPERATURE RISE 600°C
ELEMENT TYPE HP1500
ELEMENT MATERIAL GRADE Fe-Cr-Al
UNIT WEIGHT 2.2 kg
ALL INSULATION IS CERAMIC



MATERIAL: SEE SPEC		WEIGHT: 2.2 kg	
FINISH: SEE SPEC		1st CONTRACT:	
TOLERANCE:- +/- 0.5 mm (UOS) DIMENSIONS IN mm (UOS)			
CRESSALL Evington Valley Road, Leicester.LE5 5LZ UK.		TEL:(+44)(0)1162733633 FAX:(+44)(0)1162737911 email:sales@cressall.com http://www.cressall.com © Cressall Resistors Ltd. 2008	
DRAWING TITLE ES1 GENERAL ARRANGEMENT		DRAWING.No. 103198	
SHEET 1 of 1		ISS F	

ZONE	ISSUE	ECN	DESCRIPTION	DATE	DRAWN	APPROVE
	F	4382	NOTES ADDED	16.04.2010	JS	
	E	4340	FORMAT UPDATED	22.03.2010	JS	
	D		MODEL UPDATED TO DWG	21.06.06	JS	
	C		MODEL UPDATED	20.02.06	HB	
	B		PRE MANUFACTURE MODS	16.06.04	VFB	