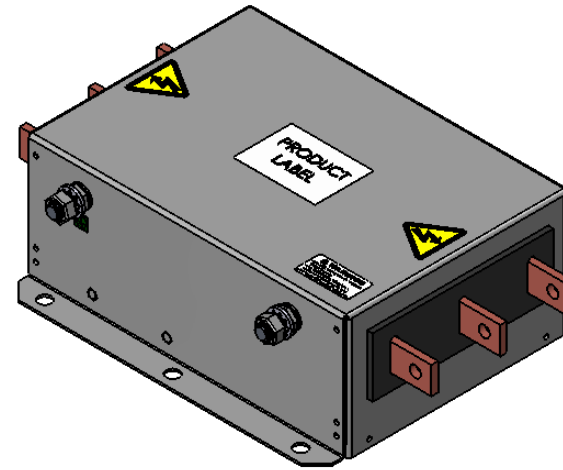
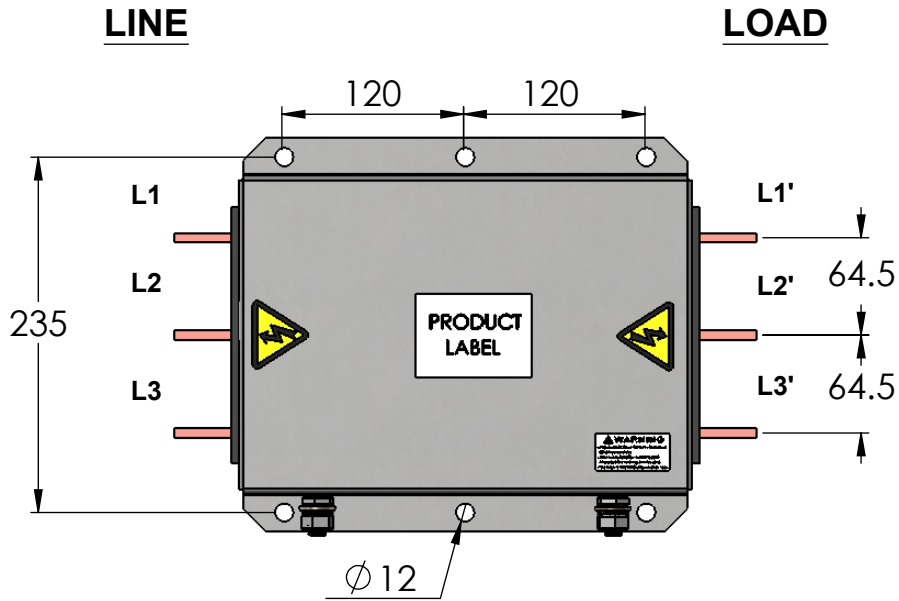


REV.	CNN	CNN DESCRIPTION	Date	Check in
03	-	-	01/03/2011	John Hutchinson
03	-	-	07/03/2011	John Hutchinson



ELECTRICAL
3P RFI Filter

current 420A (50°C)
voltage 480V (+10%)

leakage fault 85mA
leakage normal <5mA
operating frequency 50/60Hz
residual voltage (245V 10s, 1.6V 60s)
resistance dc 0.051mR (50°C)
short circuit 30kA (200kA)
voltage withstand 3.3kVdc 1s
watts loss 27W (50°C)

MECHANICAL

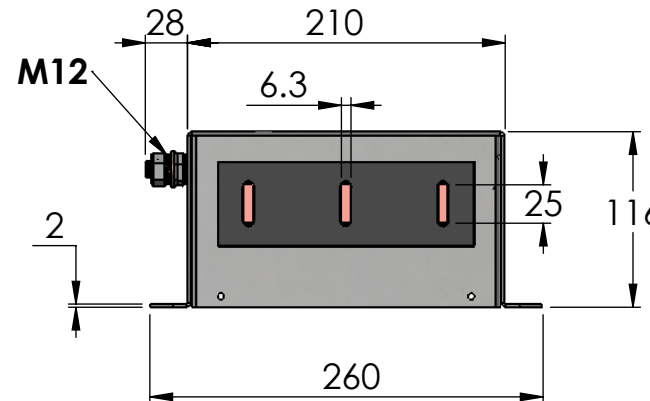
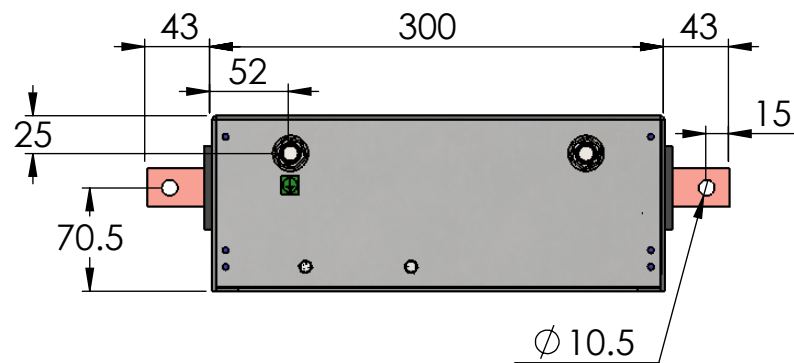
busbar holes M10. 30Nm
earth stud M12. 25Nm
fixing holes M10. 30Nm
mass unpackaged 13.8kg
material enclosure Al
material busbars Cu
material fixings SS

ENVIRONMENT

humidity 90% RH (non-condensing)
pollution class II
temperature -25 to +90°C
vibration 5-500Hz 1.5G

STANDARDS

EN60939-1 / EN61010-1
EN60950 / EN50178
UL1283 / UL508C / CSA G22.2 No.8



Tel No. +44(0)1724 273200 Website www.dem-uk.com

PROPRIETARY AND CONFIDENTIAL
THE INFORMATION CONTAINED IN THIS DRAWING IS THE SOLE PROPERTY OF
ALPHA 3 MANUFACTURING.
ANY REPRODUCTION IN PART OR AS A WHOLE WITHOUT THE WRITTEN PERMISSION OF
ALPHA 3 MANUFACTURING IS PROHIBITED.

UNLESS OTHERWISE SPECIFIED:
DIMENSIONS ARE IN MILLIMETRES
LINEAR TOLERANCE:
NO DECIMAL PLACES $\pm 0.5\text{mm}$
1 DECIMAL PLACE $\pm 0.25\text{mm}$
2 DECIMAL PLACES $\pm 0.125\text{mm}$
ANGULAR TOLERANCE: $\pm 1^\circ$

DEM Manufacturing, Deltron Emcon House
Hargreaves Way, Sawcliffe Ind. Park,
Scunthorpe, North Lincolnshire, DN15 8RF, UK



FINISH -
DEBURR AND BREAK SHARP EDGES -
DRAWN BY SPB
APPROVED BY SW
THIRD ANGLE PROJECTION
IF IN DOUBT ASK
DO NOT SCALE DRAWING
MATERIAL

SCALE 1:5
A4

SHEET 1 OF 1
SCALE 1:5
A4

TITLE General Specification
KMF3420A
Mains Line Filter
DRAWING NO. KMF3420A
ISSUE 03
Release